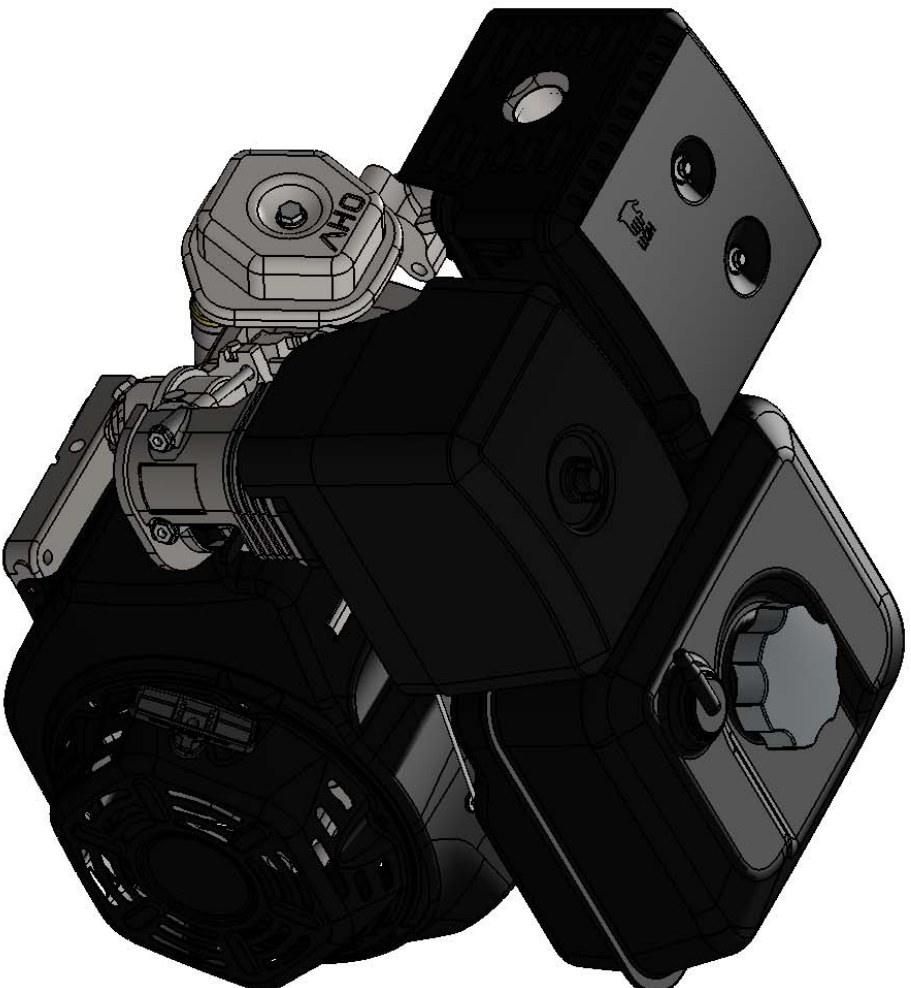


SRF190FA/P ILLUSTRATED PARTS LIST



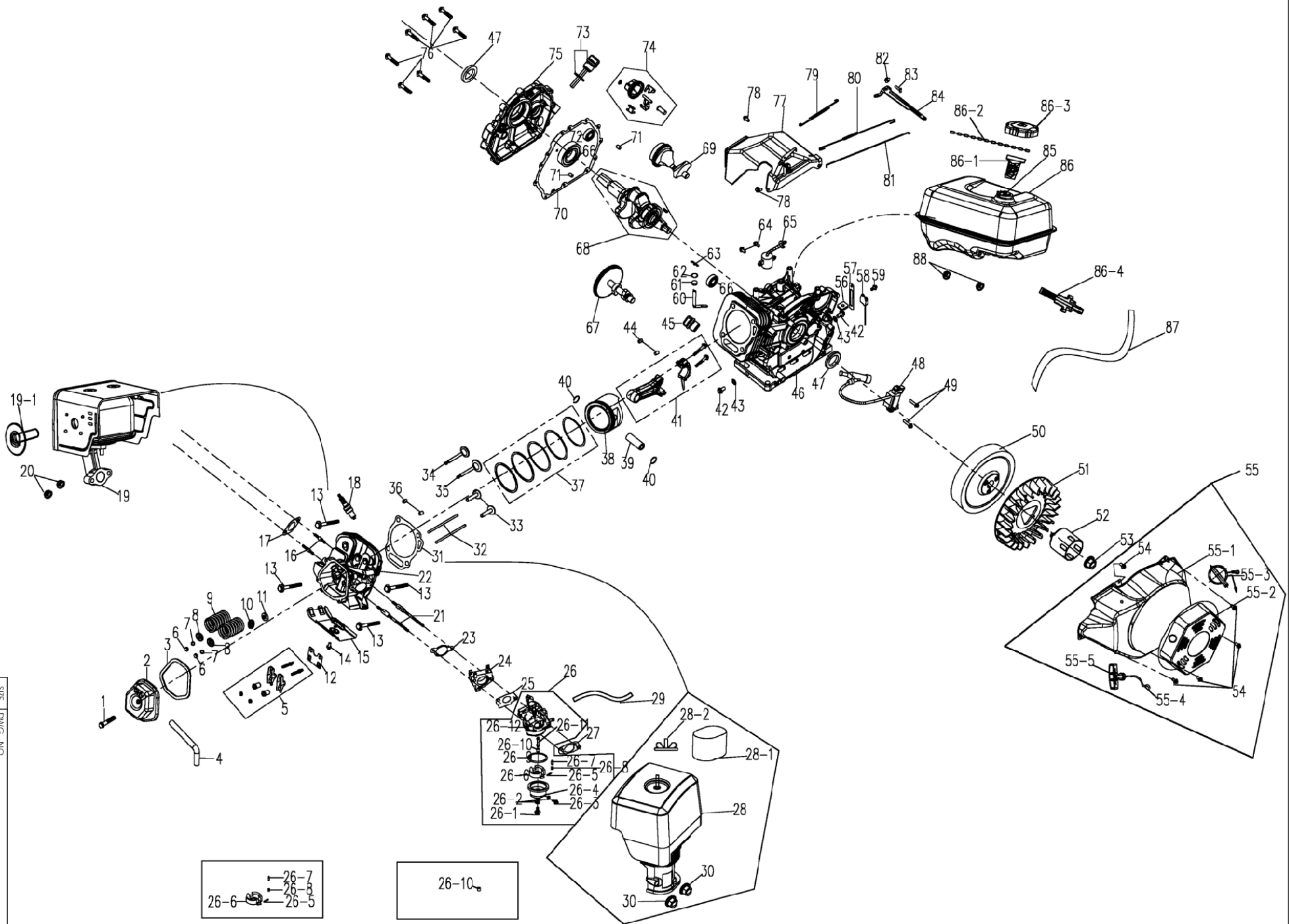
NAME	DATE
DRAWN JHS	DEC 2017
CHECKED DH/OSW	DEC 2017
ENG APPR OSW	DEC 2017
MFG APPR	-
O.A. APPR	-
SERVICE APPR	DH DEC 2017

PROPRIETARY AND CONFIDENTIAL
 THE INFORMATION CONTAINED IN THIS DRAWING IS THE SOLE PROPERTY OF FNA GROUP. ANY REPRODUCTION IN PART OR AS A WHOLE WITHOUT THE WRITTEN PERMISSION OF FNA GROUP IS PROHIBITED.

FNA-GROUP	
1265 INDUSTRIAL STREET, DECATUR, AR 72722	
TITLE:	
SRF190FA/P 420CC ENGINE IPL	
SIZE	DWG. NO.
A	100562 IPL
SCALE:	WEIGHT: 73.39 lbs
N/A	
	SHEET 1 OF 3
REV.	
A	

SR190F A/P 420cc Spare Parts List

No.	ASSEMBLY KIT	PART NO.	Name	QTY	No.	ASSEMBLY KIT	PART NO.	NAME	QTY	No.	ASSEMBLY KIT	PART NO.	NAME	QTY
1		N/A	Bolt for Rocker Cover M6*61	1	26-12		N/A	Carburetor body	1	57		7110633	Cable Tie	1
2		7109862	Rocker Cover	1	27		7109890	Air Cleaner Gasket	1	58		7108270	Oil Alert Unit	1
3		7109861	Rocker Cover Gasket	1	28		7109891	Air Cleaner	1	59		N/A	Bolt for Oil Alert Unit M6*12	1
4		7109863	Exhaust Pipe	1	28-1		7109892	Filter element	1	60		7109909	Governor Arm	1
5		7109864	Rocker Assy	2	28-2		7109893	Plastic butterfly nuts	1	61		7109910	Oil Seal 8*14*5, Governor Arm	1
6		7110611	Valve Adjusting Cap	2	29		7109894	Fuel hose φ4*φ8*230	1	62		7110634	Iron Washer 6*15*0.5	1
7		7110612	Lock Clamp	4	30		7109895	Nut for Air Cleaner M6	2	63		N/A	Coiler Pin 1*6.5	1
8		7110613	Valve Lock Seat	2	31		7109896	Head Gasket	1	64		N/A	Bolt M6*16 for Oil Sensor	2
9		7110614	Valve Spring	2	32		7110621	Pushrod	2	65		7109911	Oil Sensor	1
10		7110615	Valve Seal	2	33		7110622	Tapet	2	66		7110635	Bearing 6202	2
11		7110616	Spring Seal, Exhaust Valve	2	34		7110623	Exhaust Valve	1	67		7109912	Camschaft	1
12		7110617	Stop Block	1	35		7110624	Intake Valve	1	68		7109913	Crankshaft	1
13		N/A	Bolt M10*85*1.25	4	37		7109897	Piston Ring	1	69		7110636	Balance Shaft	1
14		N/A	Bolt M6*12	1	38		7110625	Piston	1	70		7109914	Crankcase Gasket	1
15		7110618	Lower Head Shroud	1	39		7110626	Wrist Pin	1	71		7110637	Stop Pin 8*14	2
16		7110619	Bolt Stud Ex M8*48.5	2	40		7110627	Wrist Pin Retainer	2	72		7109915	Bearing 6207	1
17		7109865	Exhaust Gasket	1	41		7109898	Connecting Rod	1	73		7109916	Oil Dipstick	1
18		7109866	Spark Plug	1	42		7109899	Oil Drain Plug M12*15*1.5	2	74		7110638	Governor Gear	1
19		7109867	Muffler	1	43		7110628	Aluminum Washer 12*20*2	2	75		N/A	Crankcase Cover	1
19-1		7109868	Spark arrester	1	44		7110629	Stop Pin 12*20	2	76		N/A	Bolt-M8*40	7
20		N/A	Nut M8	2	45		7109900	Oil Plug	1	77		7110639	Speed Control Assy	1
21		7109869	Stud In 6-8*134	2	46		N/A	Crankcase	1	78		N/A	Bolt M6*12	2
22		7110620	Cylinder Head	1	47		7109901	Oil Seal 35*52*8	2	79		7109917	Throttle Tension Spring A	1
23		7109870	Intake Gasket	1	48		7109902	Ignition Coil	1	80		7109918	Throttle Tension Spring B	1
24		7109871	Insulating Plate	1	49		N/A	Bolt M6*25	2	81		7109919	Throttle Lever	1
25		7109872	Carburetor Gasket	1	50		7110630	Flywheel	1	82		N/A	Nut M6	4#
26		7109873	Carburetor, Complete	1	51		7110631	Cooling Fan	1	83		N/A	Coach Bolt M6*21	1
26-1		7109874	Fuel Bowl Bolt	1	52		7109903	Starting Cup	1	84		7110640	Governor Support	1
26-2		7109875	Fuel Bowl Bolt Gasket	2	53		N/A	Nut M16*1.5	1	85		7110641	EP A Roll-over Valve	1
26-3		7109876	Fuel drain bolts	1	54		N/A	Bolt M6*12 for Recoil Starter	5	86		7109920	Fuel Tank with Cap	1
26-4		7109877	Carburetor bowl	1	55		7109904	Recoil Starter Complete	1	86-1		7110944	Fuel filter	1
26-5		7109878	Float Pin	1	55-1		7109905	Starter shroud	1	86-2		7109921	Chain	1
26-6		7109879	Float Assembly	1	55-2		7109906	Starter cover	1	86-3		7108267	Fuel tank cover	1
26-7	7109924	7109885	Needle Valve	1	55-3		7108253	Kill switch	1	86-4		7109922	Fuel Filter	1
26-8		7109886	Needle Spring	1	55-4		7109907	Starter Rope	1	87		7110642	Fuel Hose φ4.5*φ8*300	1
26-9		7109887	Bowl seal	1	55-5		7109908	Starter Handle	1	88		N/A	Bolt M8*25 for Fuel Tank	2
26-10		7109888	Main metering jet	1	56									
26-11		7109889	Main nozzle	1	56		7110632	Grommet Cord	1					



FLOAT ASSEMBLY HIGH ALTITUDE JET

SIZE DWG. NO.
A 100562 IPL
 SCALE: N/A ECN# EC17-0XXX
 SHEET 3 OF 3
 REV. **A**

